

FM yagi antennas

TYPES

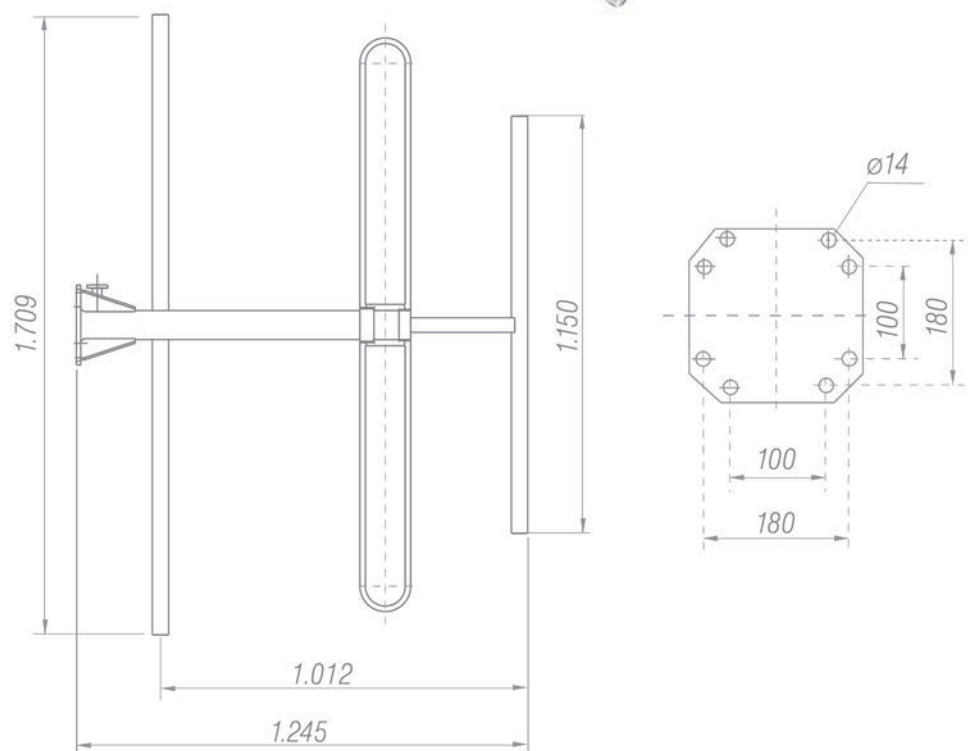
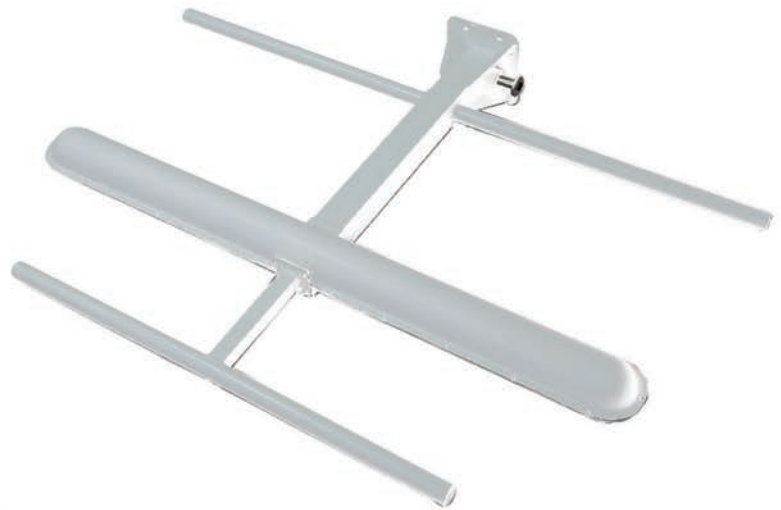
A II/13

A II/13 Fe

The AII/13 antenna is a 3-element yagi broadband antenna designed for transmitting or receiving across the entire FM frequency band 87,5-108 MHz.

The enclosure of all antenna elements in a watertight yagi tube finished with an anodised oxide layer and paint make it extremely robust. The antenna can be installed horizontally or vertically. The antenna RF input is coaxial and protected against atmospheric influences.

It is entirely built of aluminium or hot-dip galvanized steel with internal parts of silver plated brass and teflon. It is fully resistant to adverse weather conditions.



Specifications

A II/13 A II/13 Fe	
Input connector	DIN 7/16 female or EIA 7/8" flange
Impedance	50 Ω
VSWR	≤ 1,2
Frequency range	87,5 - 108 MHz
Gain (ref. to half wave dipole)	4,0 - 5,4 dB
Front to back ratio	> 13 dB
Max. input power	2,5 kW (DIN 7/16); 5 kW (EIA 7/8")
Polarization	horizontal or vertical
Beam width at -3dB E plane (at mid band)	64 °
Beam width at -3dB H plane (at mid band)	120 °
Dimensions (mm)	1.245 x 1.710 x 220
Weight	16 kg - Al (34 kg - Fe)
Wind load	350 N (160 km/h)
Max. wind velocity	225 km/h

Radiation Patterns

at mid-band 98 MHz

