

VHF vertical dipole

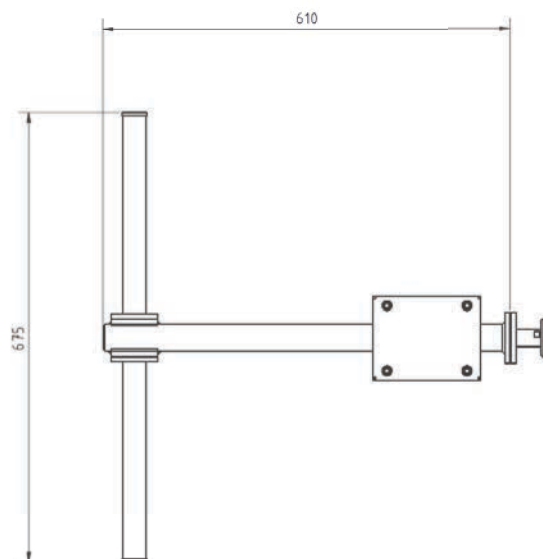
TYPES

TA 3-21/50

A VHF broadband dipole type TA 3-21/50 is designed to suit professional applications for VHF transmission and especially as vertical dipole for DAB.

Various elements of VHF antenna dipoles can be assembled vertically in order to achieve better signal coverage. The VHF dipole has constant gain over VHF frequency band.

The VHF dipole type TA 3-21/50 consists hot dip galvanized steel and silver plated brass inner conductor. The antenna can be easily mounted on vertical pipes with various diameters. It is fully resistant to adverse weather conditions.



Specifications

TA 3-21/50	
Input connector	EIA 7/8" flange
Impedance	50 Ω
VSWR	$\leq 1,2$
Frequency range	174 - 230 MHz
Gain (ref-to halve wave dipole)	2,2 dB
Polarisation	vertical
Max. input power (at mid band 660 MHz)	3 kW rms
Material	hot dip galvanised steel
Lightning protection	all metal parts of antenna are DC grounded
Weight	10,0 kg
Wind load	120 N at 150 km/h
Max. wind velocity	225 km/h

Radiation Patterns

TA 3-21/50

at mid-band 202 MHz

